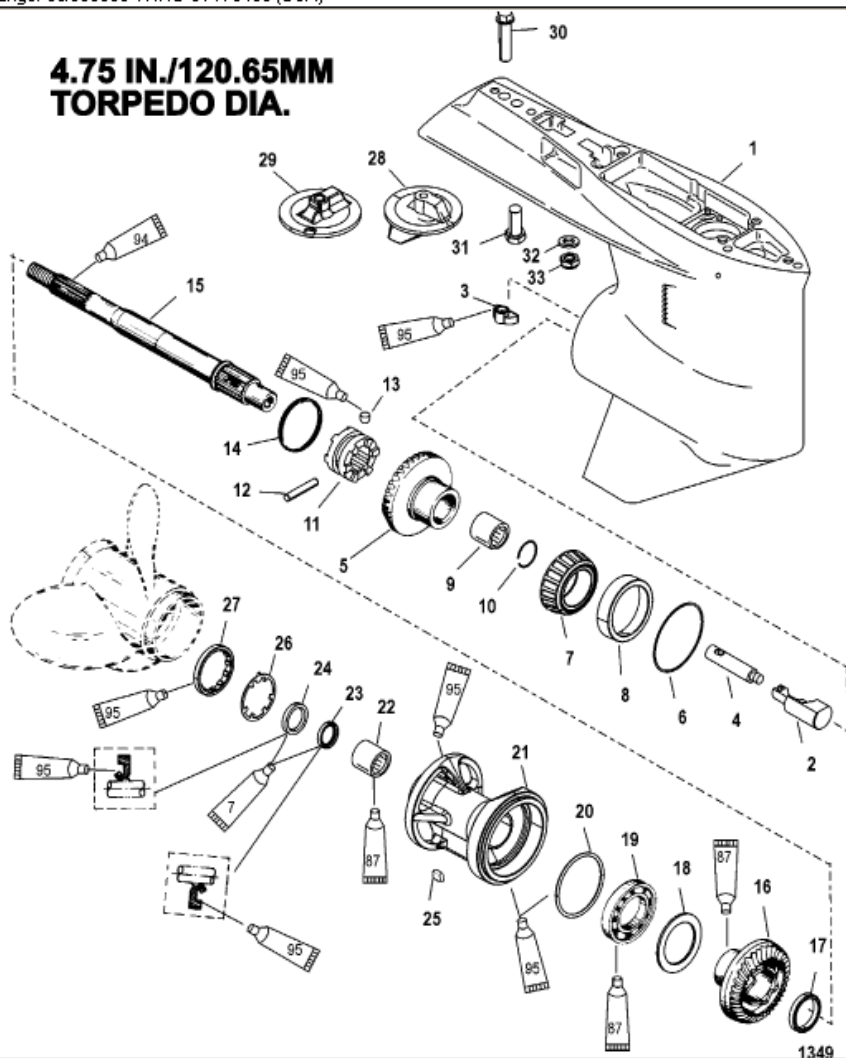


**4.75 IN./120.65MM  
 TORPEDO DIA.**



| Parts List |       |                          |                              |     |                                 |          |
|------------|-------|--------------------------|------------------------------|-----|---------------------------------|----------|
| Ref        | Class | Part                     | Description                  | Qty | Comment                         | Footnote |
| 0          | 1647  | <a href="#">9148T84</a>  | GEAR HOUSING ASSEMBLY, Con   | 1   | (LONG - 1.87:1)                 |          |
| 0          | 1647  | <a href="#">9148T85</a>  | GEAR HOUSING ASSEMBLY, Con   | 1   | (X-LONG - 1.87:1)               |          |
| 0          | 1647  | <a href="#">9148T81</a>  | GEAR HOUSING ASSEMBLY, Con   | 1   | (LONG - 2:1)                    |          |
| 0          | 1647  | <a href="#">9148T82</a>  | GEAR HOUSING ASSEMBLY, Con   | 1   | (X-LONG - 2:1)                  |          |
| 1          | 1647  | 9148T93                  | GEAR HOUSING, (Basic)        | 1   |                                 |          |
| 2          |       | 89594A 1                 | FOLLOWER                     | 1   |                                 | 24       |
| 3          |       | 78956 2                  | SHIFT CAM                    | 1   |                                 | 24       |
| 4          |       | 828287                   | ROD                          | 1   |                                 | 24       |
| 5          | 43    | 878613A 2                | FORWARD GEAR, (1.87:1 - 15/2 | 1   | (1.87:1 Gear Ratio) SN# 0T97999 |          |
| 5          | 43    | 803615T 2                | PINION/FORWARD GEAR ASSI     | 1   | (1.87:1 Gear Ratio) SN# 0T98000 |          |
| 5          | 43    | 878615A 2                | FORWARD GEAR, (2:1 - 14/28]  | 1   | (2:1 Gear Ratio) SN# 0T97999 &  |          |
| 5          | 43    | 803612T 2                | PINION/FORWARD GEAR ASSI     | 1   | (2:1 Gear Ratio) SN# 0T980000 & |          |
| 6          | 15    | 44491A 1                 | SHIM SET                     | AR  |                                 | 23       |
| 7          | 31    | 30894A 1                 | BEARING SET, Cup And Cone    | 1   |                                 |          |
| 8          |       | NSS                      | NOT SOLD SEPARATE, Cup       | 1   |                                 |          |
| 9          | 31    | 30895T                   | BEARING, Needle              | 1   |                                 | 23       |
| 10         | 53    | 856823                   | RING, Retaining              | 1   |                                 |          |
| 11         | 52    | 859340T                  | CLUTCH                       | 1   |                                 | 24       |
| 12         | 17    | 30632                    | PIN, Cross                   | 1   |                                 | 24       |
| 13         | 17    | 828356                   | PIN, Detent                  | 1   |                                 | 24       |
| 14         | 24    | 30893                    | SPRING                       | 1   |                                 | 24       |
| 15         | 44    | 94148                    | PROPELLER SHAFT              | 1   |                                 |          |
| 16         | 43    | 828175A 1                | REVERSE GEAR, (15/28)        | 1   | (1.87:1 Gear Ratio)             |          |
| 16         | 43    | 828177A 1                | REVERSE GEAR, (14/28)        | 1   | (2:1 Gear Ratio)                |          |
| 17         | 23    | 824108                   | SPACER                       | 1   |                                 |          |
| 18         |       | 68100 1                  | RING, Thrust                 | 1   |                                 | 23       |
| 19         | 30    | 88957T                   | BALL BEARING                 | 1   |                                 | 23       |
| 20         | 25    | 31534                    | O-RING                       | 1   |                                 | 2,15     |
| 21         |       | 43567T 1                 | BEARING CARRIER ASSEMBLY     | 1   |                                 |          |
| 22         | 31    | 30956T                   | BEARING, Needle              | 1   |                                 | 23       |
| 23         | 26    | 14077                    | SEAL, Oil (INSIDE)           | 1   |                                 |          |
| 24         | 26    | 76868                    | SEAL (OUTSIDE)               | 1   |                                 | 15       |
| 25         | 28    | 30281                    | KEY                          | 1   |                                 |          |
| 26         | 14    | 79447                    | TAB WASHER                   | 1   |                                 | 23       |
| 27         |       | 79448                    | RETAINER                     | 1   |                                 |          |
| 28         |       | 31640T 5                 | TRIM TAB                     | 1   |                                 |          |
| 29         |       | <a href="#">76214Q 5</a> | ANODIC PLATE ASSEMBLY        | 1   |                                 |          |
| 30         | 10    | 806327                   | SCREW, (.437-14 x 1.750)     | 1   |                                 |          |
| 31         | 10    | 65210                    | SCREW, (.375-16 x 1.00)      | 1   |                                 |          |
| 32         | 12    | 45176                    | WASHER, (.453 x .812 x .105) | 2   |                                 |          |
| 33         | 11    | 24922                    | NUT, (.437-20)               | 2   |                                 |          |